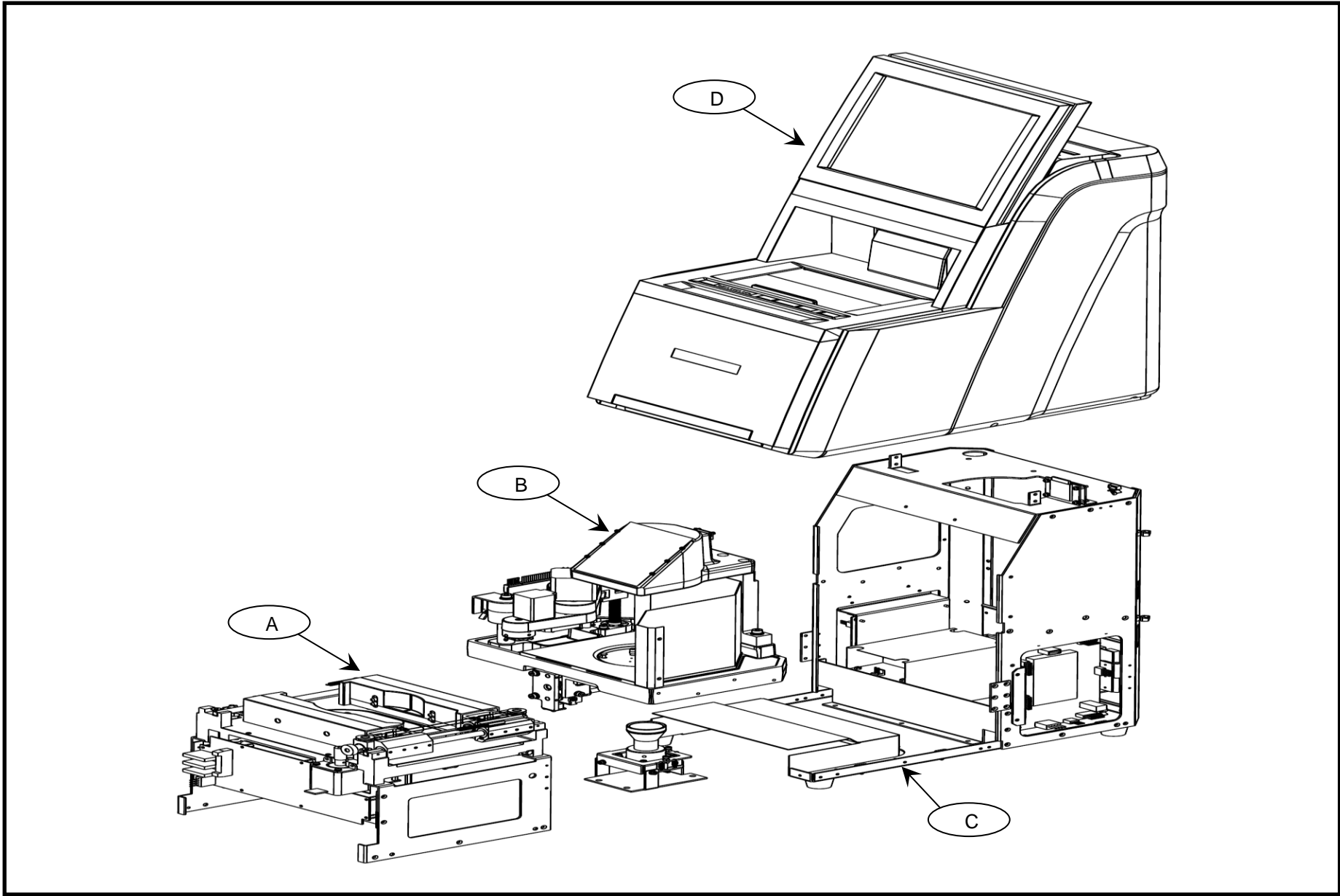


# **HAB-8000 Part List**



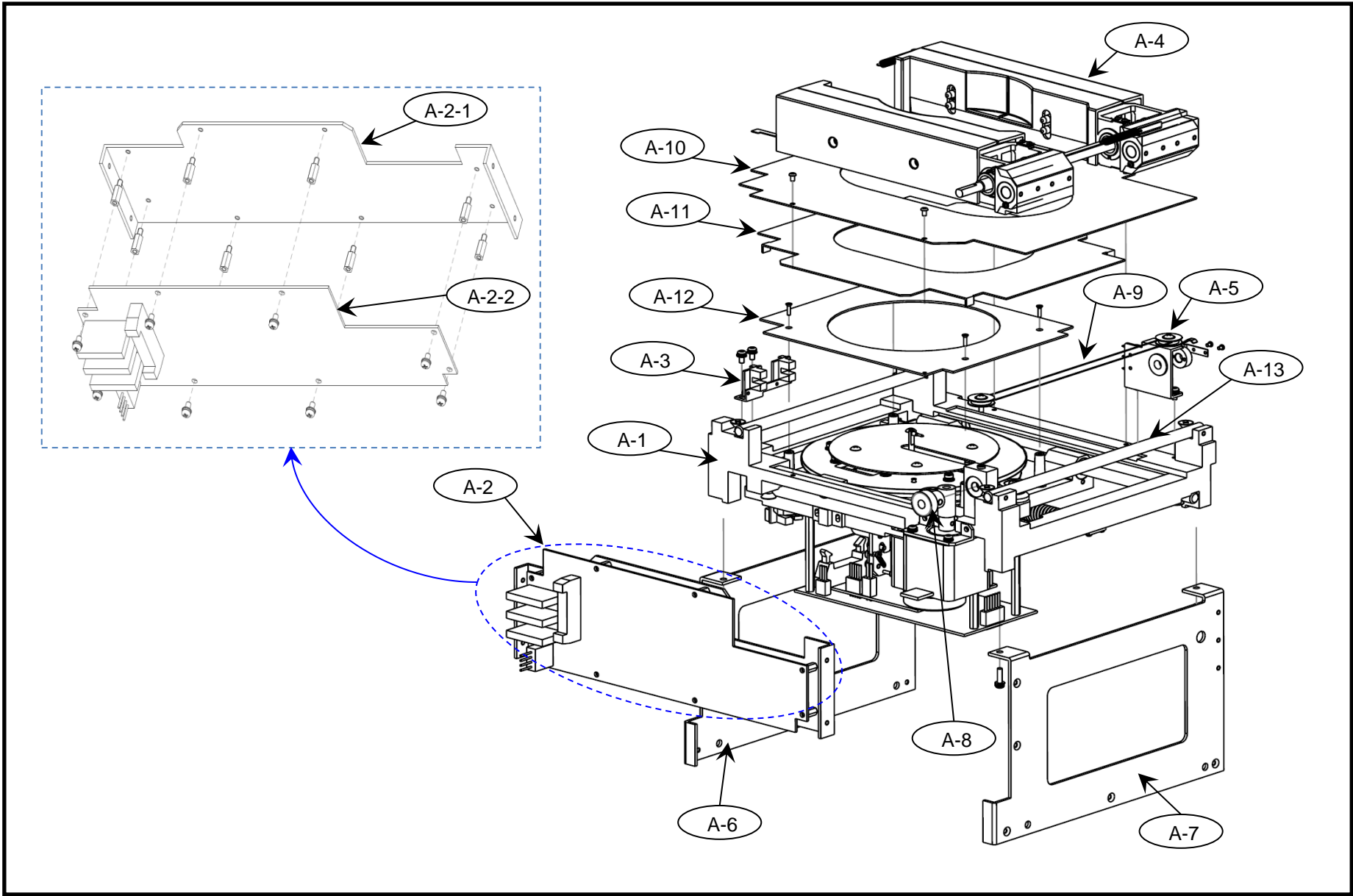
**Lastly Modified at 20th-August-2012(V1.0)**

**Written by CS team**



## L2 HAB-8000 TOTAL ASSY

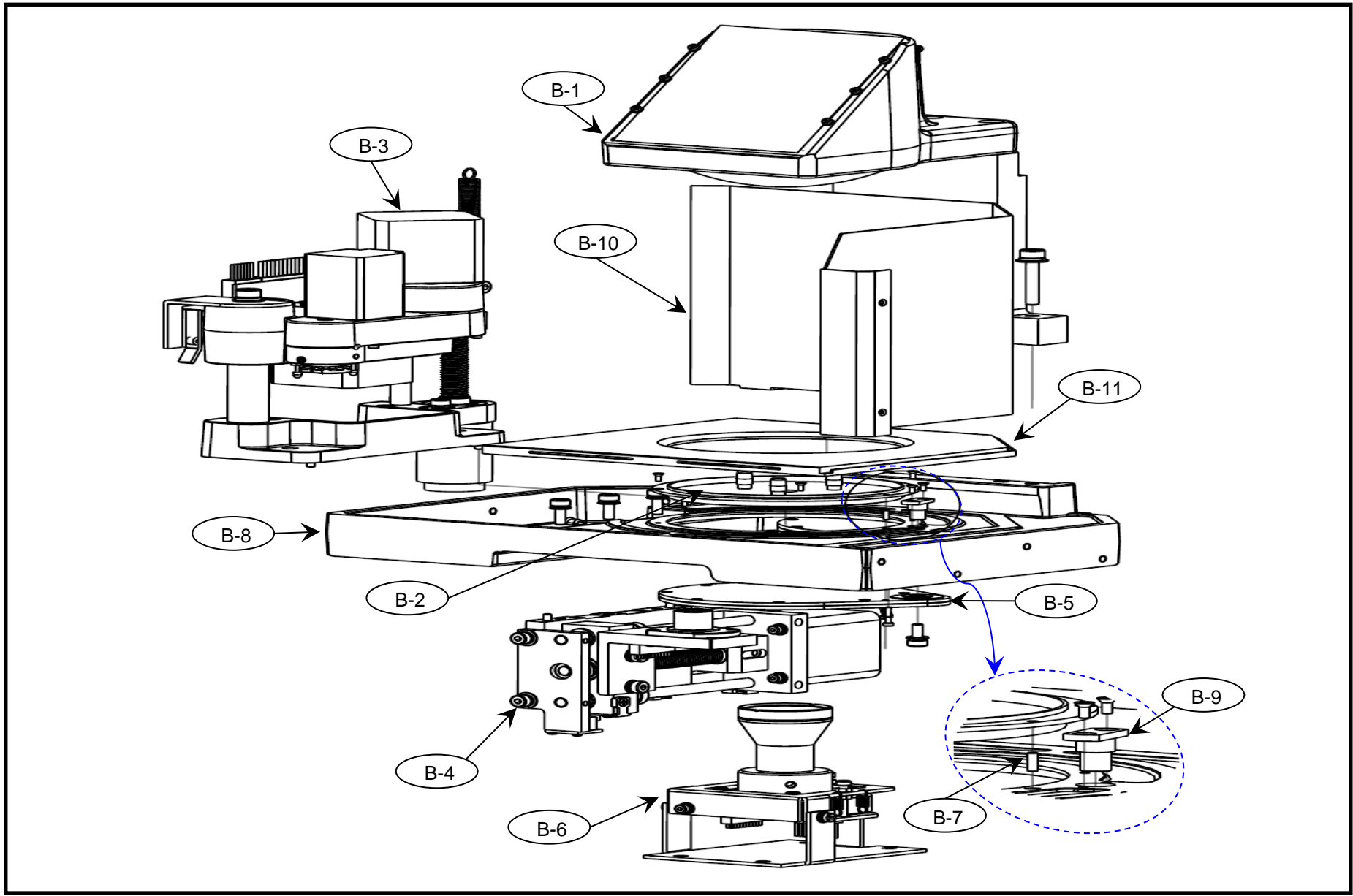
Ref.No.	Part Name	BOM Code	Remarks	Q'ty
<b>A</b>	L2 TRACER TOTAL ASSY	L2MASSY022-AA		1
<b>B</b>	L2 BLOCKING TOTAL ASSY	L2MASSY008-AA		1
<b>C</b>	L2 FRAME TOTAL ASSY	L2MASSY003-AA		1
<b>D</b>	L2 COVER TOTAL ASSY	L2MASSY024-AA		1



## L2 TRACER TOTAL ASSY

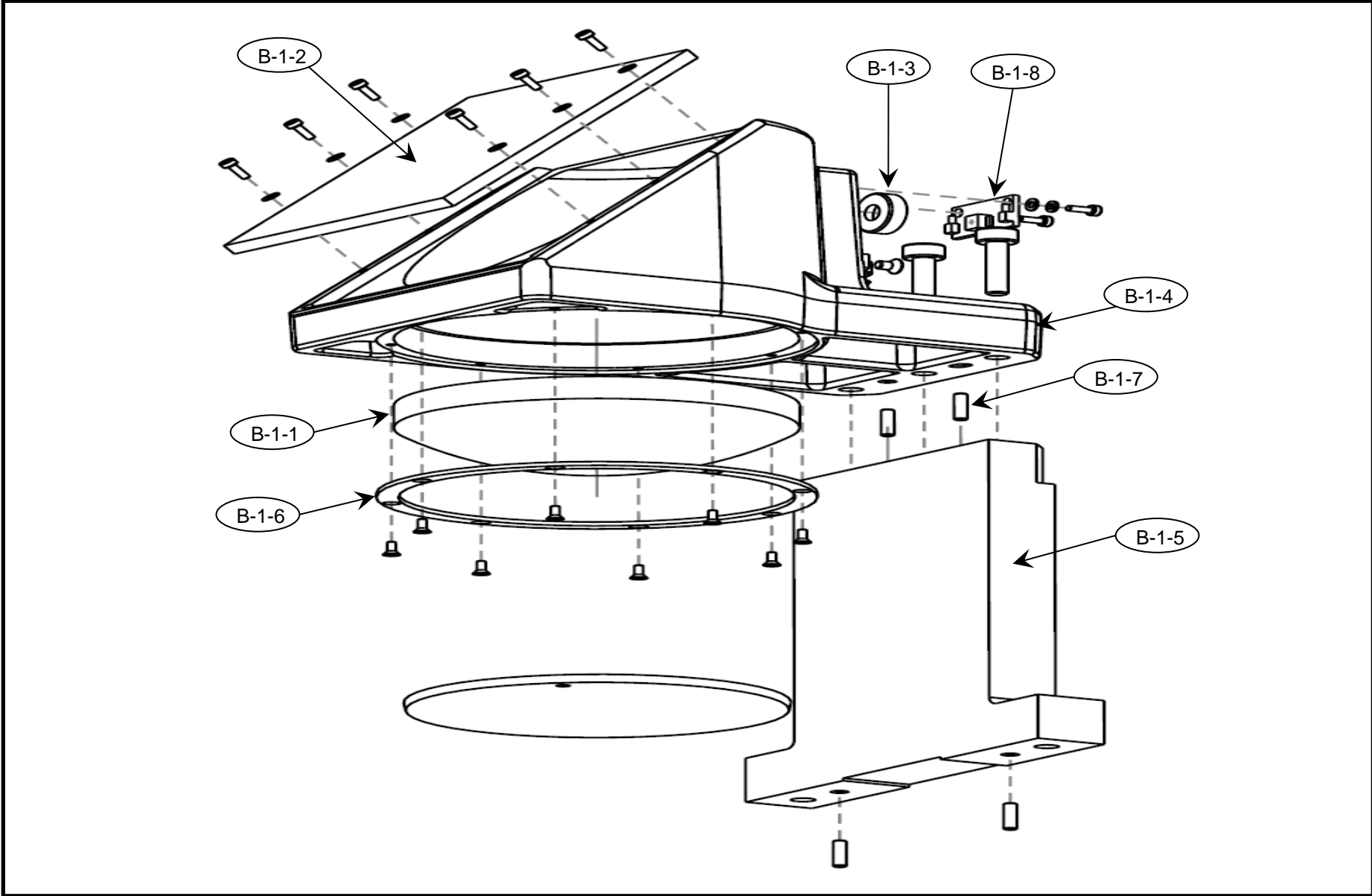
Ref.No.	Part Name	BOM Code	Remarks	Q'ty
<b>A</b>	<b>L2 TRACER TOTAL ASSY</b>	<b>L2MASSY022-AA</b>		-
A-1	H2 FRAME ASSY	H2MASSY002-AA	☞ HFR-8000	1
A-2	L2 H2 MAIN BOARD ASSY	L2MASSY023-AA		1
A-3	FRAME CHECK PI ASSY	H0MASSY002-AA	☞ HFR-8000	1
A-4	H2 GRIPPER ASSY	H2MASSY011-AA	☞ HFR-8000	3
A-5	GRIP SW ASSY	H0MASSY012-AA	☞ HFR-8000	4
A-6	L2 T LEFT PLATE	1030MP0L214-A		1
A-7	L2 T RIGHT PLATE	1030MP0L215-A		1
A-8	TRACER GRIP WORM WHEEL	1220A00H011-A		1
A-9	WIRE	9350A000025-A		1
A-10	TRACER TOP COVER	1330MS0H005-B		1
A-11	SLIDING COVER	1330MS0H004-B		1
A-12	X TOUCH COVER(P)	1030MS0H002-A		1
A-13	SLIDE SHAFT	1210A00H005-A		1

Ref.No.	Part Name	BOM Code	Remarks	Q'ty
<b>A-2</b>	<b>L2 H2 MAIN BOARD ASSY</b>	<b>L2MASSY023-AA</b>		-
A-2-1	L2 H2 BOARD PLATE	1030MP0L216-A		1
A-2-2	PCB ASSY(FRM-300)	H2EPCB7001-AA		1



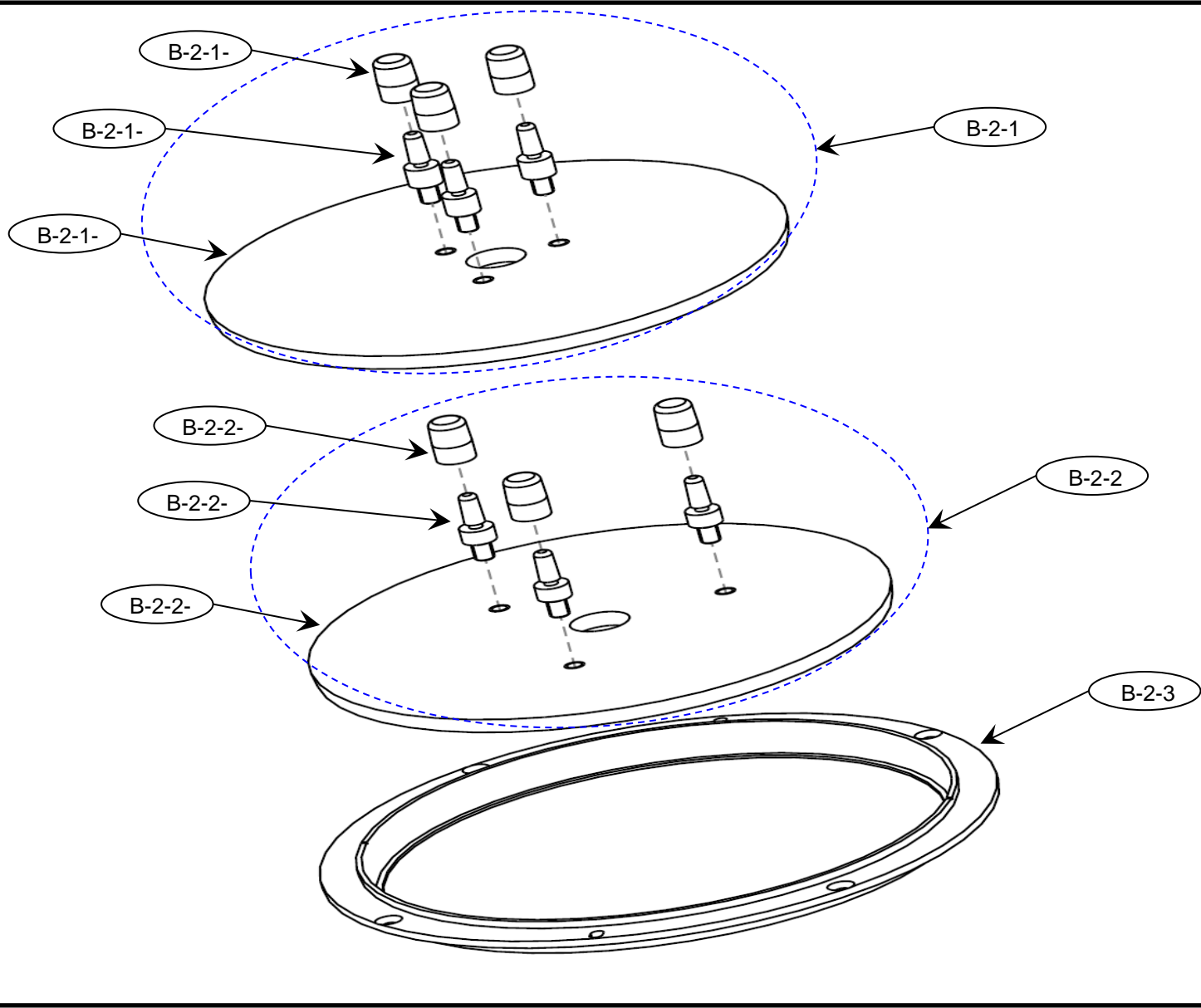
## L2 BLOCKING TOTAL

Ref.No.	Part Name	BOM Code	Remarks	Q'ty
<b>B</b>	<b>L2 BLOCKING TOTAL ASSY</b>	<b>L2MASSY008-AA</b>		-
B-1	L2 LED ASSY	L2MASSY010-AA		1
B-2	L2 LENS SUPPORT ASSY	L2MASSY011-AA		1
B-3	L2 BLOCKING ARM ASSY	L2MASSY012-AA		1
B-4	L2 LENSMETER ASSY	L2MASSY017-AA		1
B-5	L2 IMAGE PROJECTION ASSY	L2MASSY009-AA		1
B-6	L2 IMAGE CAMERA TOTAL ASSY	L2MASSY020-AA		1
B-7	DWEL PIN	3022A00L001-A		2
B-8	L2 BLOCKER MAIN PLATE	1100MP0L201-A		1
B-9	L2 IP BEARING-SHAFT	1210A00L201-A		1
B-10	L2 BLOCKING INNER COVER - 1	1030MS0L201-A		1
B-11	L2 BLOCKING INNER COVER - 2	2000A00L201-A		1



## L2 LED ASSY

Ref.No.	Part Name	BOM Code	Remarks	Q'ty
<b>B-1</b>	<b>L2 LED ASSY</b>	<b>L2MASSY010-AA</b>		-
B-1-1	L2 LED LENS	8000L200070-A		1
B-1-2	L2 LED MIRROR	8010L200010-A		1
B-1-3	L2 LED HOLE BLOCK	1200MP0L202-A		1
B-1-4	L2 LED BONE HEAD	1100MP0L202-A		1
B-1-5	L2 LED BONE SUPPORT	1200MP0L204-A		1
B-1-6	L2 LED LENS FIX PLATE	1200MP0L205-A		1
B-1-7	DWEL PIN	3022A00L002-A		4
B-1-8	HARNESS(POWER LED)	L2EHAR5001-AA		1

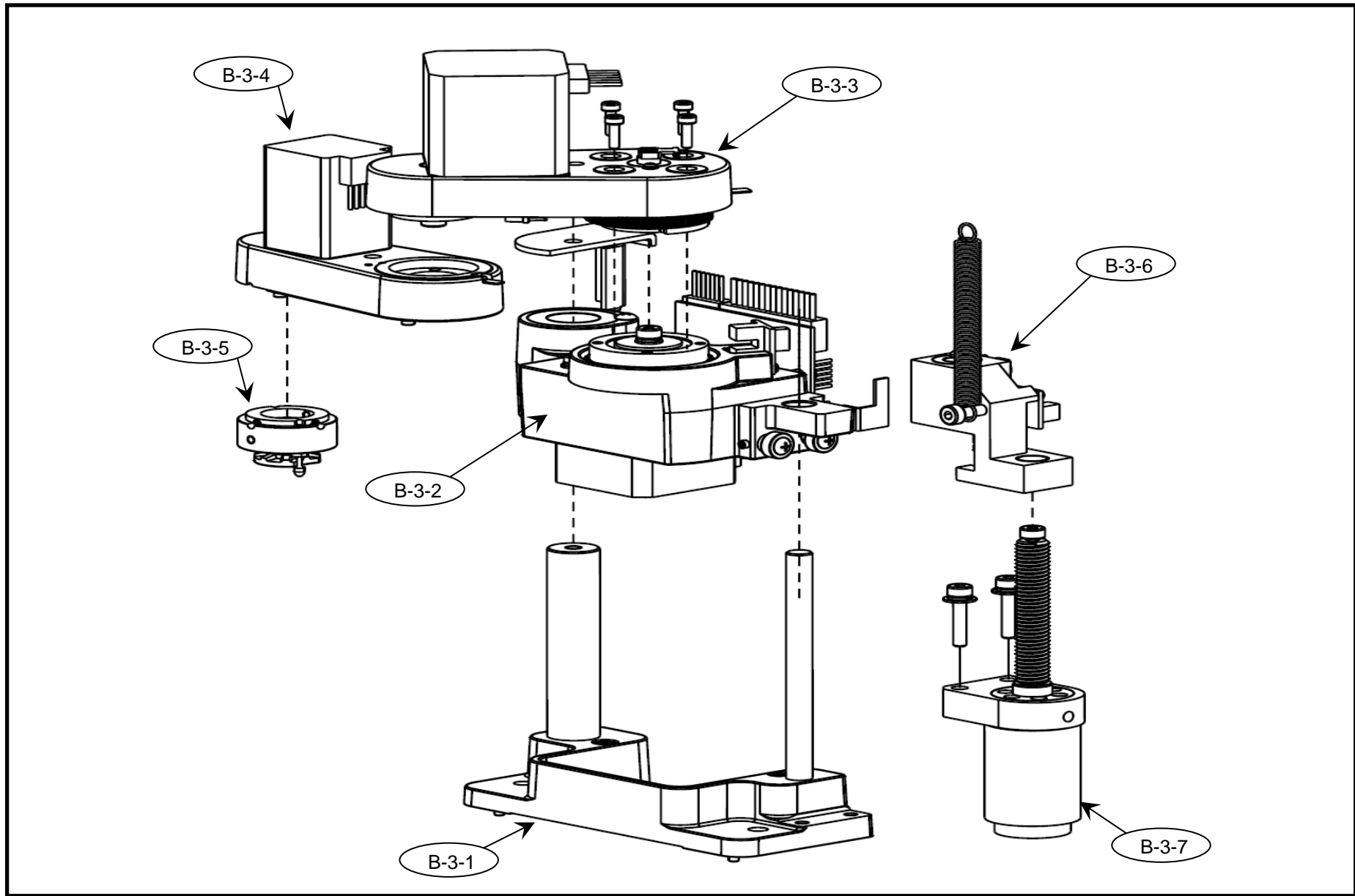


## L2 LENS SUPPORT ASSY

Ref.No.	Part Name	BOM Code	Remarks	Q'ty
<b>B-2</b>	<b>L2 LENS SUPPORT ASSY</b>	<b>L2MASSY011-AA</b>		-
B-2-1	L2_L-S-ACRYLE-10R-ASSY	L2MASSY027-AA		1
B-2-2	L2_L-S-ACRYLE-20R-ASSY	L2MASSY028-AA		1
B-2-3	L2 L S FRAME	1200MP0L206-A		1

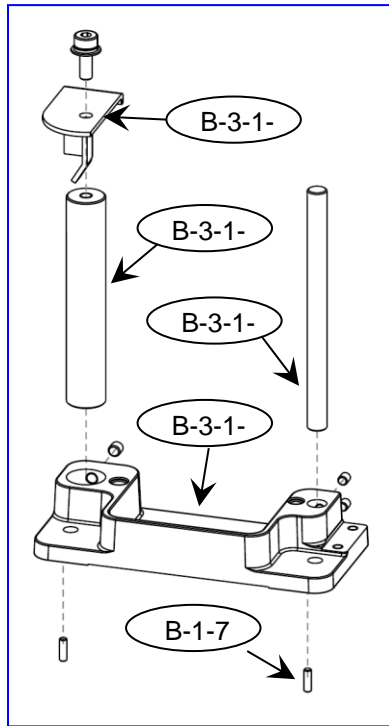
Ref.No.	Part Name	BOM Code	Remarks	Q'ty
<b>B-2-1</b>	<b>L2_L-S-ACRYLE-10R-ASSY</b>	<b>L2MASSY027-AA</b>		-
B-2-1-1	L2 L S SHAFT 10R	1200MP0L207-A		3
B-2-1-2	L-S-ACRYLE-10R	1230A00L003-E		1
B-2-1-3	LENS SUPPORTER CAP	2040A00I001-A		3

Ref.No.	Part Name	BOM Code	Remarks	Q'ty
<b>B-2-2</b>	<b>L2_L-S-ACRYLE-20R-ASSY</b>	<b>L2MASSY028-AA</b>		-
B-2-2-1	L2 L S SHAFT 20R	1200MP0L203-A		3
B-2-2-2	L-S-ACRYLE-20R	1230A00L002-E		1
B-2-1-3	LENS SUPPORTER CAP	2040A00I001-A		3

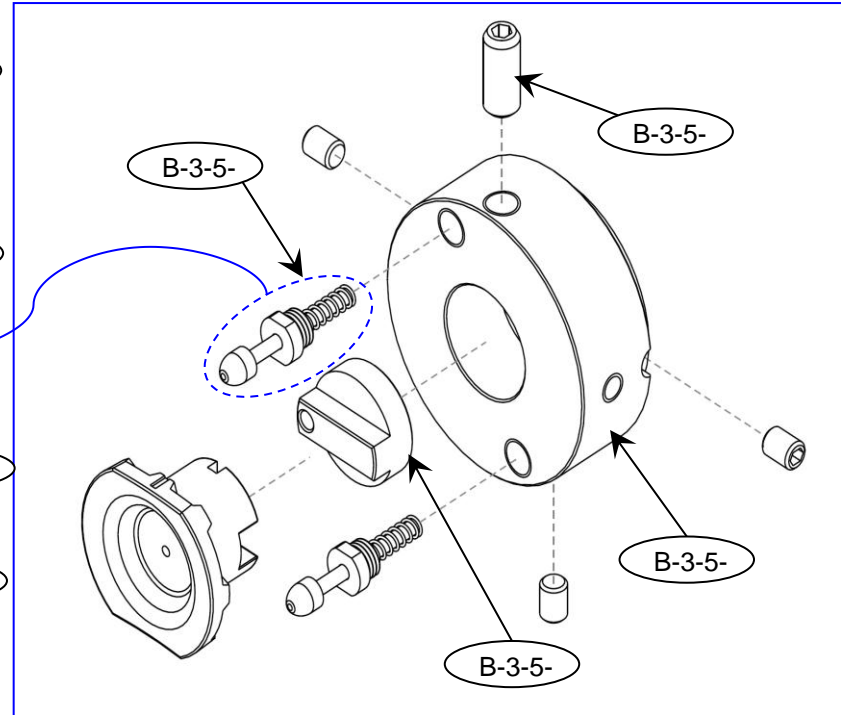
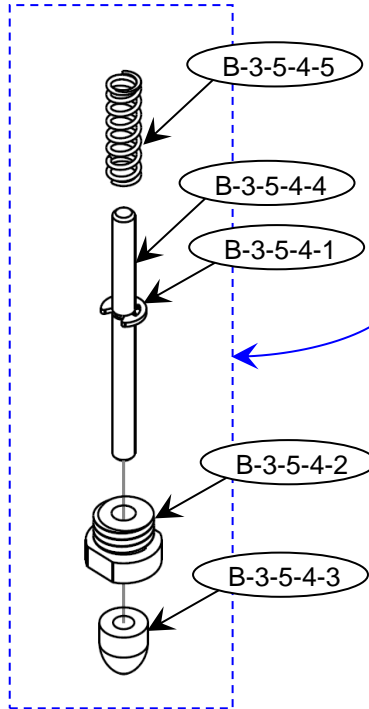


## L2 BLOCKING ARM ASSY

Ref.No.	Part Name	BOM Code	Remarks	Q'ty
<b>B-3</b>	<b>L2 BLOCKING ARM ASSY</b>	<b>L2MASSY012-AA</b>		-
B-3-1	L2 B ARM BASE ASSY	L2MASSY013-AA		1
B-3-2	L2 B ARM 0 ASSY	L2MASSY014-AA		1
B-3-3	L2 B ARM 1 ASSY	L2MASSY016-AA		1
B-3-4	B-ARM-2-ASSY	L0MASSY212-AA		1
B-3-5	B-GRIP-ASSY	L0MASSY216-AA		1
B-3-6	L2_B-Z-SCREW-BLOCK-ASSY	L2MASSY030-AA		1
B-3-7	B-Z-SCREW-ASSY	L0MASSY219-AA		1



**L2 B ARM BASE**



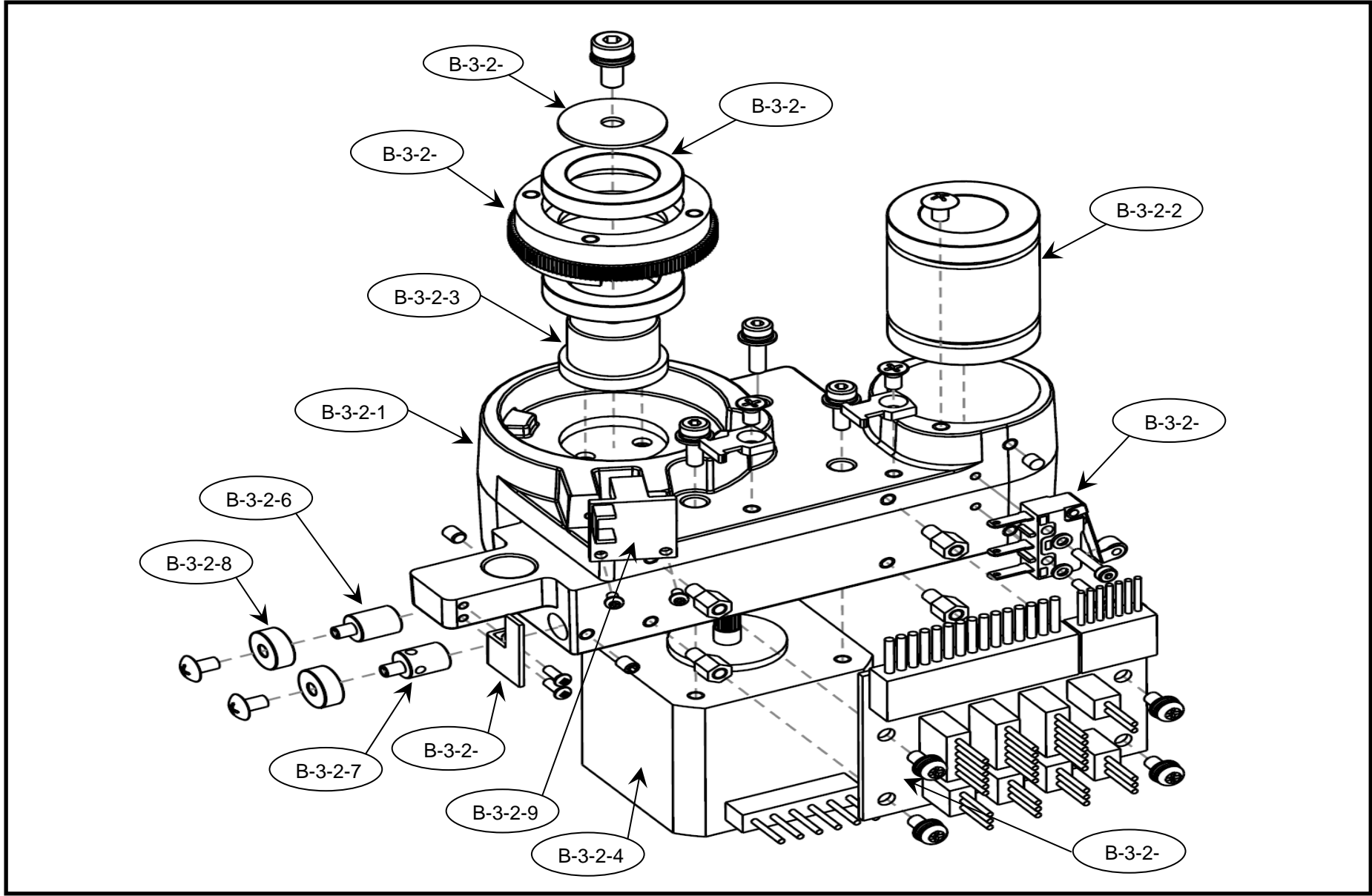
**B GRIP ASSY**

## L2 BLOCKING ARM ASSY (Continue)

Ref.No.	Part Name	BOM Code	Remarks	Q'ty
<b>B-3-1</b>	<b>L2 B ARM BASE ASSY</b>	<b>L2MASSY013-AA</b>		-
B-3-1-1	L2 B ARM BASE	1100MP0L203-A		1
B-3-1-2	L2 B SHAFT 16	1250A00L201-A		1
B-3-1-3	B-SHAFT-8	1240MP0L002-A		1
B-3-1-4	B-Z-STOPPER-PLATE	1330MP0L014-A		1
B-1-7	DWEL PIN	3022A00L002-A		2

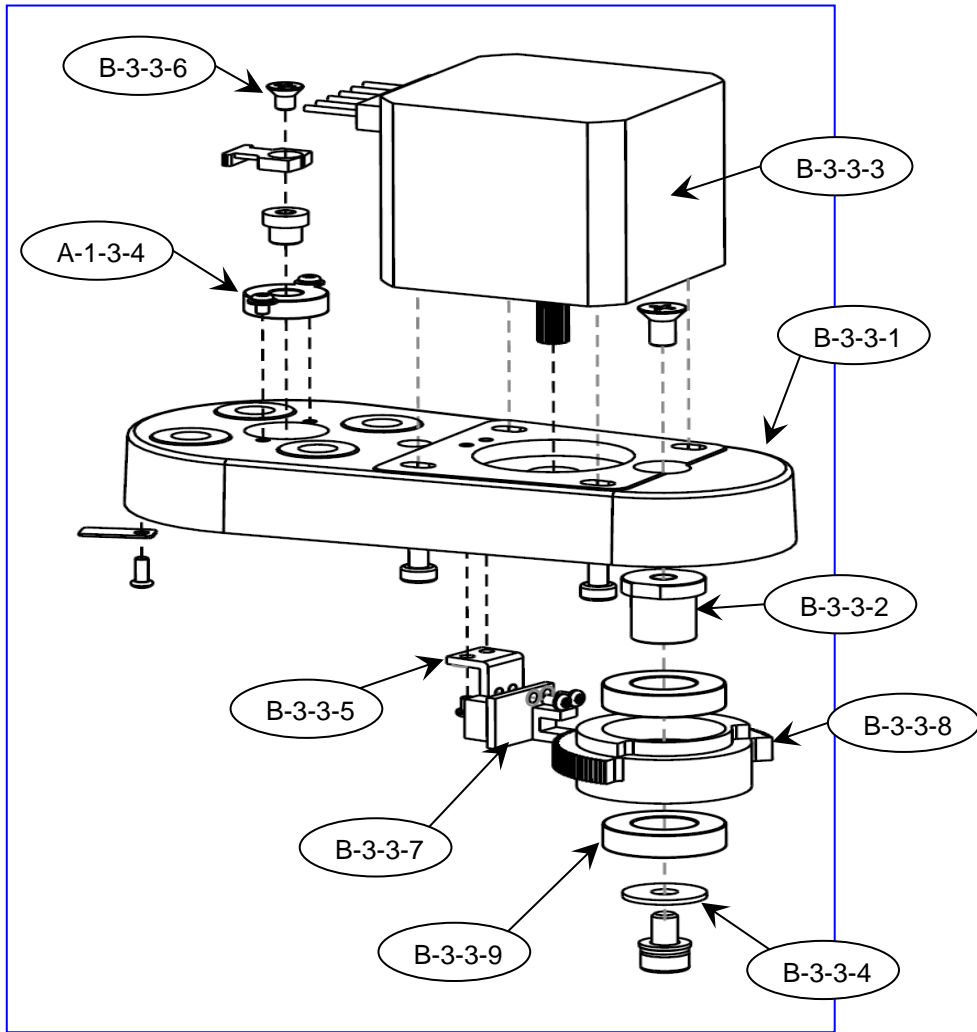
Ref.No.	Part Name	BOM Code	Remarks	Q'ty
<b>B-3-5</b>	<b>B-GRIP-ASSY</b>	<b>L0MASSY216-AA</b>		-
B-3-5-1	B GRIP HOLDER	1210A00L008-B		1
B-3-5-2	B-GRIP	1210A00L009-B		1
B-3-5-3	BALL PLUNGER	3022A00I002-B		1
B-3-5-4	B-GRIP-PIN-ASSY	L0MASSY217-AA		2

Ref.No.	Part Name	BOM Code	Remarks	Q'ty
<b>B-3-5-4</b>	<b>B-GRIP-PIN-ASSY</b>	<b>L0MASSY217-AA</b>		-
B-3-5-4-1	B GRIP PIN	1210A00L010-A		1
B-3-5-4-2	B-GRIP-PIN-PLUG	1210A00L011-A		1
B-3-5-4-3	B-GRIP-PIN-CAP	1230A00L008-A		1
B-3-5-4-4	E-RING	1561MSU0100-A		1
B-3-5-4-5	B-GRIP-PIN-SPRING	3008A00L007-A		1

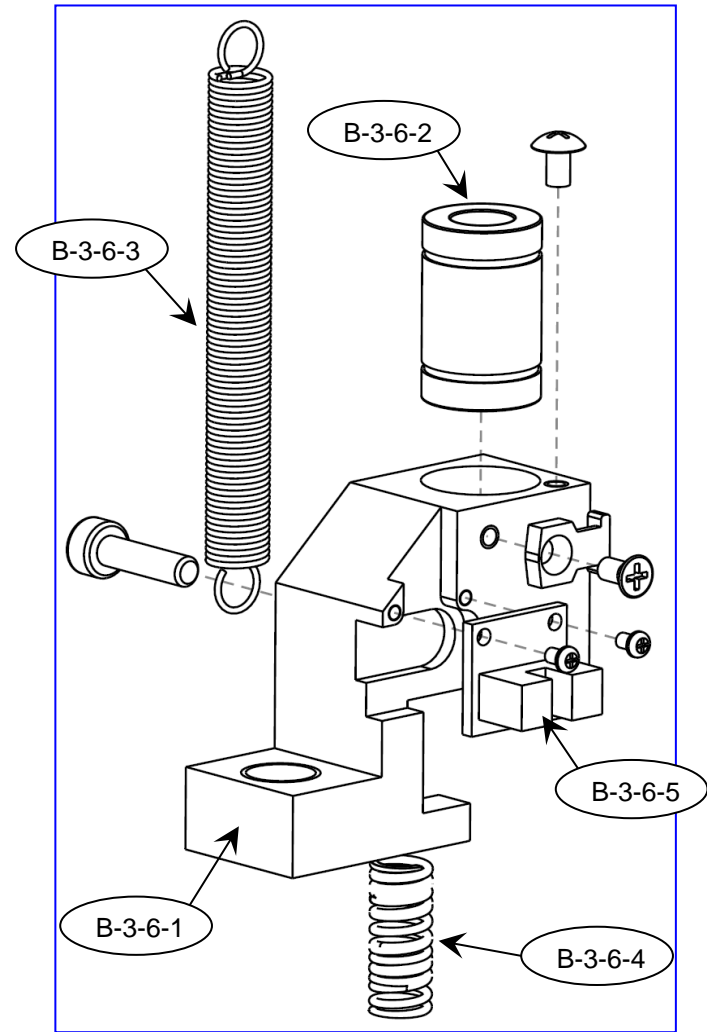


## L2 BLOCKING ARM ASSY (Continue)

Ref.No.	Part Name	BOM Code	Remarks	Q'ty
<b>B-3-2</b>	<b>L2 B ARM 0 ASSY</b>	<b>L2MASSY014-AA</b>		-
B-3-2-1	L2 B ARM 0	1100MP0L204-A		1
B-3-2-2	LINEAR BEARING	3002A000032-A		1
B-3-2-3	B-GEAR-1-SHAFT	1210A00L002-A		1
B-3-2-4	HARNESS(LARGE ARM STEP MOTOR)	L2EHAR6001-AA		1
B-3-2-5	B-GEAR-1-FIX-BRK	1330MP0L015-A		1
B-3-2-6	B Z BEARING SHAFT	1220A00L001-A		1
B-3-2-7	B-Z-BEARING-GAP-SHAFT	1220A00L002-A		1
B-3-2-8	BEARING (623ZZ)	3002A000033-A		2
B-3-2-9	HARNESS(LARGE ARM PI ASSY)	L2EHAR3003-AA		1
B-3-2-10	B-Z-FORCE-SENSOR-DOG	1330MP0L016-B		1
B-3-2-11	HARNESS(Z AXIS LIMIT SWITCH)	LOEHAR4001-AA		1
B-3-2-12	PCB ASSY(BMI-300)	L2EPCB8001-AA		1
B-3-2-13	L2 B GEAR 1	1210A00L202-A		1
B-3-2-14	BEARING (B6803ZZ)	3002A000041-A		2



**L2 B ARM 1 ASSY**

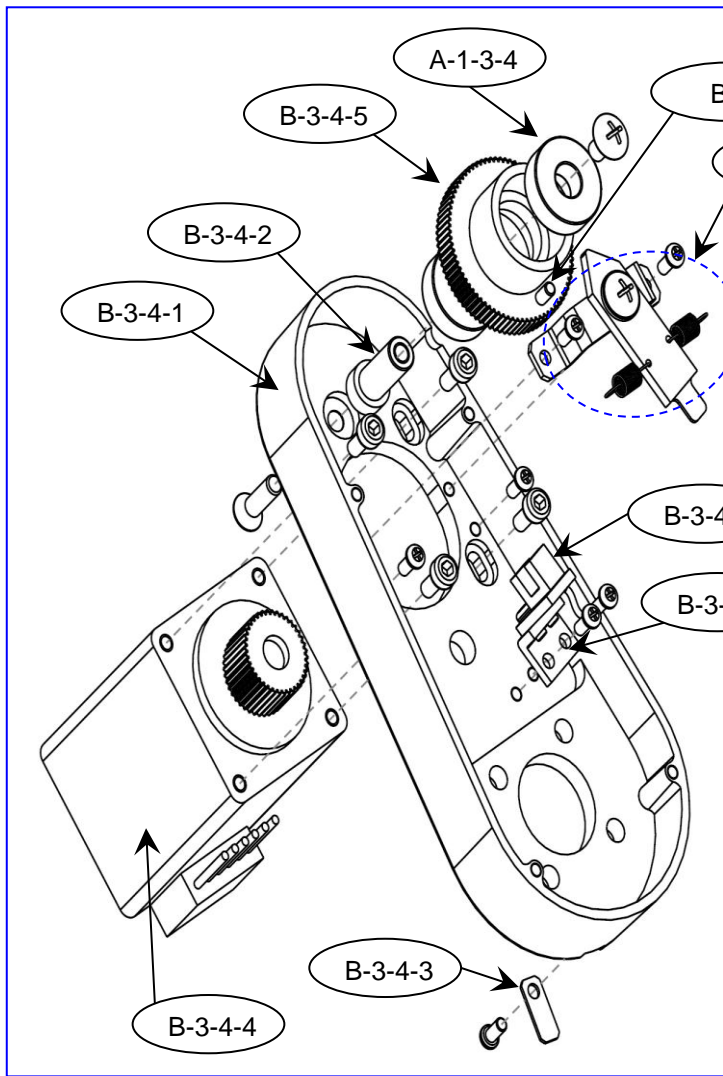


**L2 B Z SCREW BLOCK ASSY**

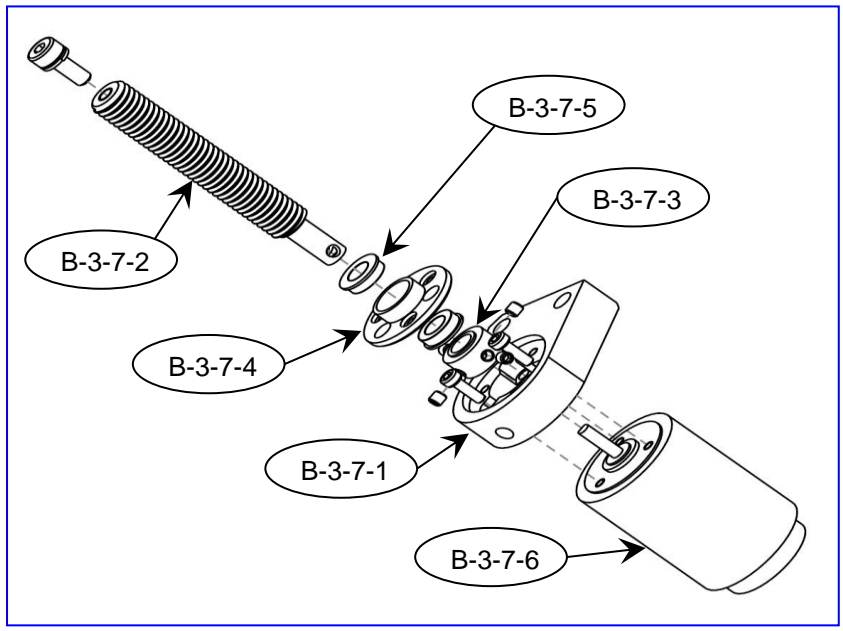
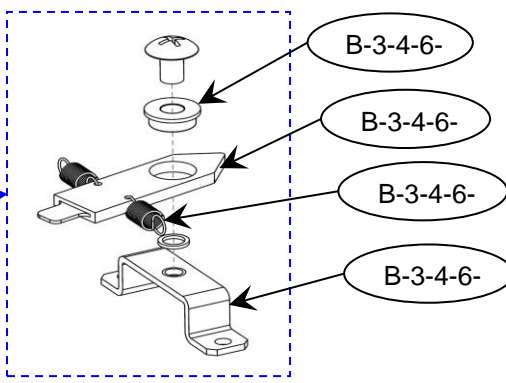
## L2 BLOCKING ARM ASSY (Continue)

Ref.No.	Part Name	BOM Code	Remarks	Q'ty
<b>B-3-3</b>	<b>L2 B ARM 1 ASSY</b>	<b>L2MASSY016-AA</b>		-
B-3-3-1	L2 B ARM 1	1100MS0L201-A		1
B-3-3-2	B-GEAR-2-SHAFT	1210A00L004-A		1
B-3-3-3	HARNESS(SMALL ARM STEP MOTOR)	L0EHAR6002-AA		1
B-3-3-4	B-GEAR-2-FIX-BRK	1330MP0L017-A		1
B-3-3-5	B-ARM-1-SENSOR-DOG	1330MP0L018-A		1
B-3-3-6	B-CABLE-FIX-SHAFT	1200MP0L005-B		1
B-3-3-7	HARNESS(SMALL ARM PI ASSY)	L2EHAR3004-AA		1
B-3-3-8	B GEAR 2	1210A00L005-A		1
B-3-3-9	BEARING (6800ZZ)	3002A000010-A		2
A-1-3-4	BEARING (695ZZ)	3002A000004-A		1

Ref.No.	Part Name	BOM Code	Remarks	Q'ty
<b>B-3-6</b>	<b>L2_B-Z-SCREW-BLOCK-ASSY</b>	<b>L2MASSY030-AA</b>		-
B-3-6-1	L2_B-Z-SCREW-BLOCK	1220A00L202-A		1
B-3-6-2	BALL BUSH (LMU8)	3010A000009-A		1
B-3-6-3	SPRING (AWY-8-65)	3008A00L008-A		1
B-3-6-4	SPRING (WM8-20)	3008A00L002-A		1
B-3-6-5	HARNESS(Z AXIS PI ASSY)	L2EHAR3006-AA		1



**B ARM 2 ASSY**



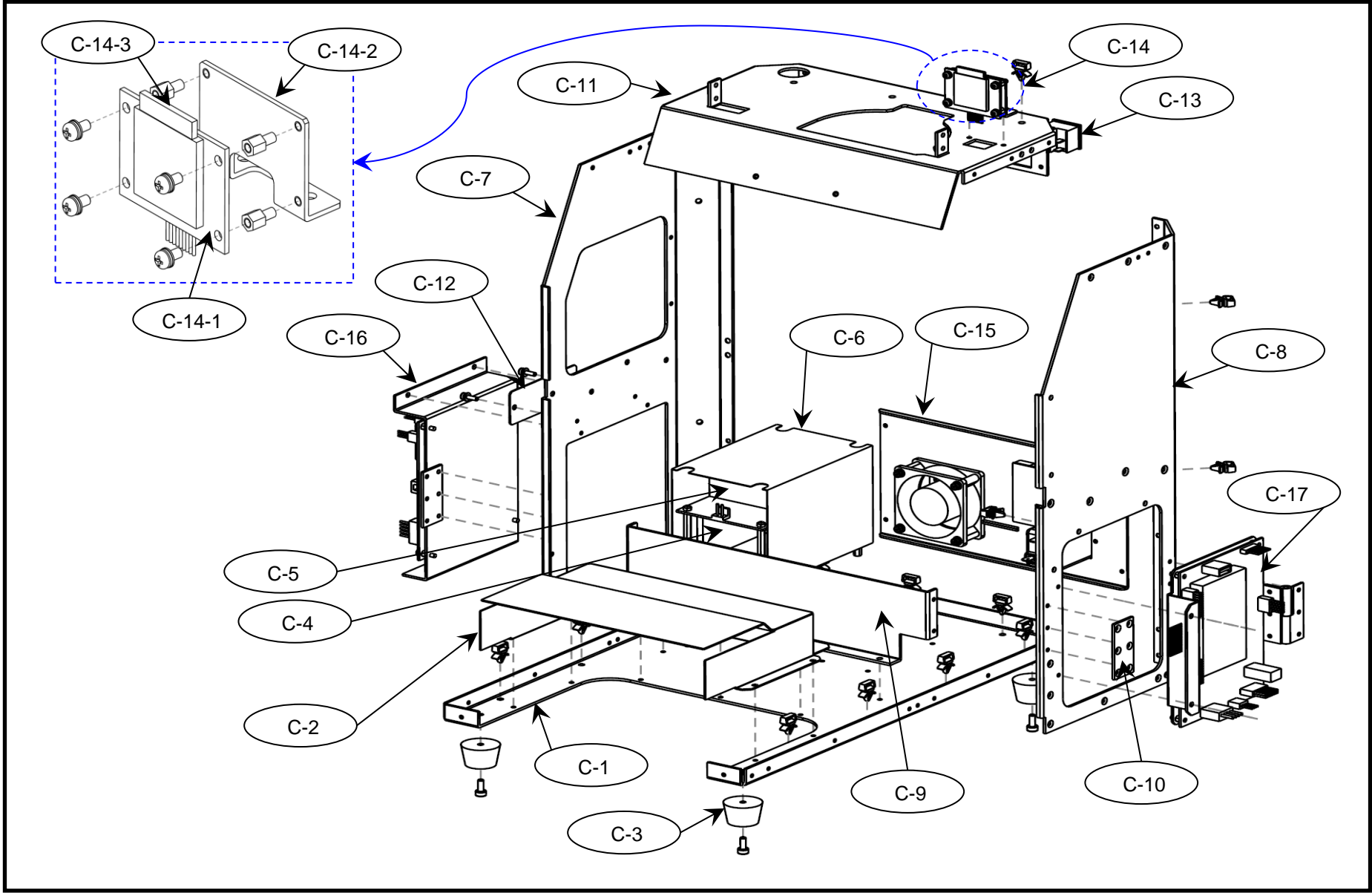
**B Z SCREW ASSY**

## L2 BLOCKING ARM ASSY (Continue)

Ref.No.	Part Name	BOM Code	Remarks	Q'ty
<b>B-3-4</b>	<b>B-ARM-2-ASSY</b>	<b>L0MASSY212-AA</b>		-
B-3-4-1	B-ARM-2	1100MS0L004-A		1
B-3-4-2	B-GEAR-3-SHAFT	1210A00L006-A		1
B-3-4-3	B-ARM-2-SENSOR-DOG	1330MP0L020-A		1
B-3-4-4	HARNESS(THETA AXIS STEP MOTOR)	L0EHAR6001-AA		1
B-3-4-5	B-GEAR-3	1210A00L007-A		1
B-3-4-6	B-THETA-SENSOR-DOG-ASSY	L0MASSY214-AA		1
B-3-4-7	B-THETA-SENSOR-BRK	1330MP0L023-A		1
B-3-4-8	HARNESS(THETA AXIS PI ASSY)	L2EHAR3005-AA		1
B-7	DWEL PIN	3022A00L001-A		1
A-1-3-4	BEARING (695ZZ)	3002A000004-A		2

Ref.No.	Part Name	BOM Code	Remarks	Q'ty
<b>B-3-4-6</b>	<b>B-THETA-SENSOR-DOG-ASSY</b>	<b>L0MASSY214-AA</b>		-
B-3-4-6-1	B-T-S-DOG	1320A00J002-A		1
B-3-4-6-2	B-T-S-DOG-BRK	1330MP0L021-A		1
A-1-4-7-4	BEARING (FL673ZZ)	3002A000042-A		1
B-3-4-6-4	SPRING (AUY 3-10)	3008A000003-A		2

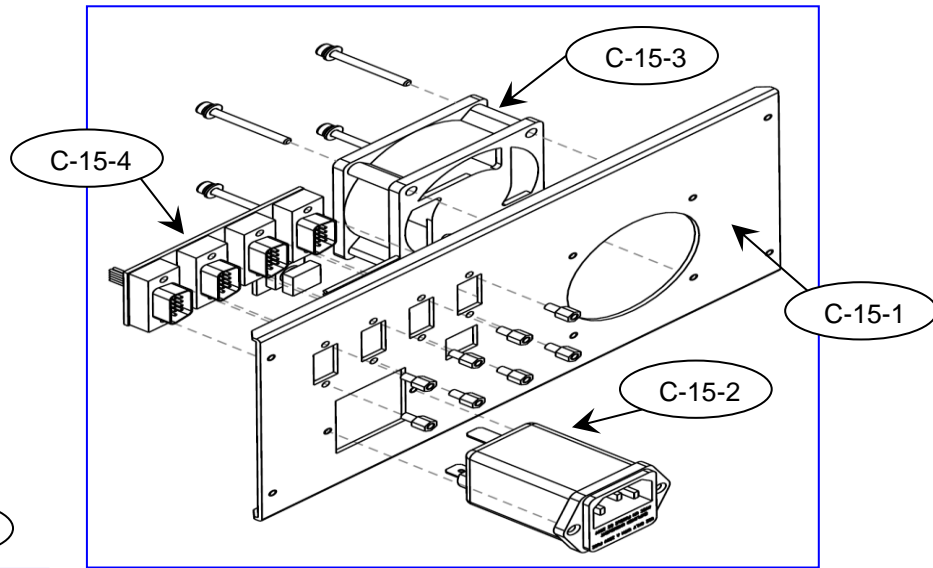
Ref.No.	Part Name	BOM Code	Remarks	Q'ty
B-3-7	B-Z-SCREW-ASSY	L0MASSY219-AA		-
B-3-7-1	B-Z-MOTOR-BLOCK	1200MP0L007-A		1
B-3-7-2	B-Z-SCREW	1210A00L012-B		1
B-3-7-3	B-Z-SCREW-FIX-BLOCK	1210A00L013-A		1
B-3-7-4	B-Z-SCREW-FLANGE	1220A00L004-A		1
B-3-7-5	BEARING (FL676)	3002A000043-A		2
B-3-7-6	HARNESS(Z AXIS DC MOTOR)	L0EHAR6005-AA		1



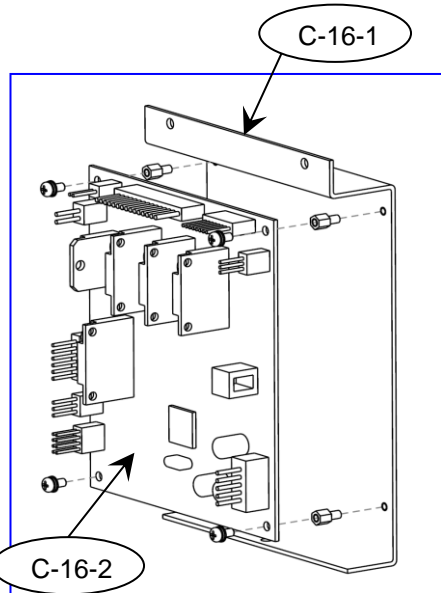
## L2 FRAME TOTAL ASSY

Ref.No.	Part Name	BOM Code	Remarks	Q'ty	US(\$)	EUR(€)	Unit Price
<b>C</b>	<b>L2 FRAME TOTAL ASSY</b>	<b>L2MASSY003-AA</b>		-			
C-1	L2 F BTM PLATE	1030MP0L201-A		1			
C-2	L2 F BTM PLATE COVER BRK	1030MP0L202-A		1			
C-3	FOOT	3000A000007-B		4			
C-4	SMPS(PD-65A)	7560P00PD65-A	5V7A(MAIN), 12V3.2(LCD)	1			
C-5	SMPS(RPS-75-24)	7560RPS7524-A	24V3.2A(MOTOR)	1			
C-6	L2 SMPS INSULATING FILM	1060A00L202-A		1			
C-7	L2 F LEFT PLATE	1030MP0L203-A		1			
C-8	L2 F RIGHT PLATE	1030MP0L204-A		1			
C-9	L2 F MIDDLE BRK	1030MP0L205-A		1			
C-10	L2 F FIX BRK	1030MP0L206-A		2			
C-11	L2 F FIX PLATE	1030MS0L202-B		1			
C-12	L2 F CABLE FIX BRK	1030MP0L210-A		1			
C-13	SWITCH(ON-OFF)	7600SOFRL3H-A		1			
C-14	L2 SD CARD PCB ASSY	L2MASSY004-AA		1			
C-15	L2 INLET PANNEL ASSY	L2MASSY005-AA		1			
C-16	L2 MOTOR BD ASSY	L2MASSY006-AA		1			
C-17	L2 GUI BD ASSY	L2MASSY007-AA		1			

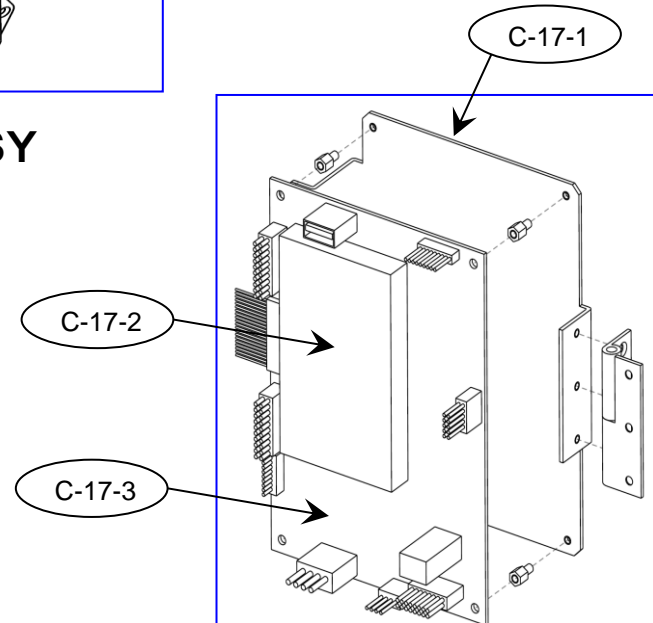
Ref.No.	Part Name	BOM Code	Remarks		US(\$)	EUR(€)	Unit Price
<b>C-14</b>	<b>L2 SD CARD PCB ASSY</b>	<b>L2MASSY004-AA</b>		-			
C-14-1	L2 SD CARD PCB ASSY	L2MASSY004-AA		1			
C-14-2	L2 SD CARD BRK	1030MP0L207-A		1			
C-14-3	SD CARD	7630S00SD2G-A		1			



**L2 INLET PANEL ASSY**



**L2 MOTOR BD ASSY**



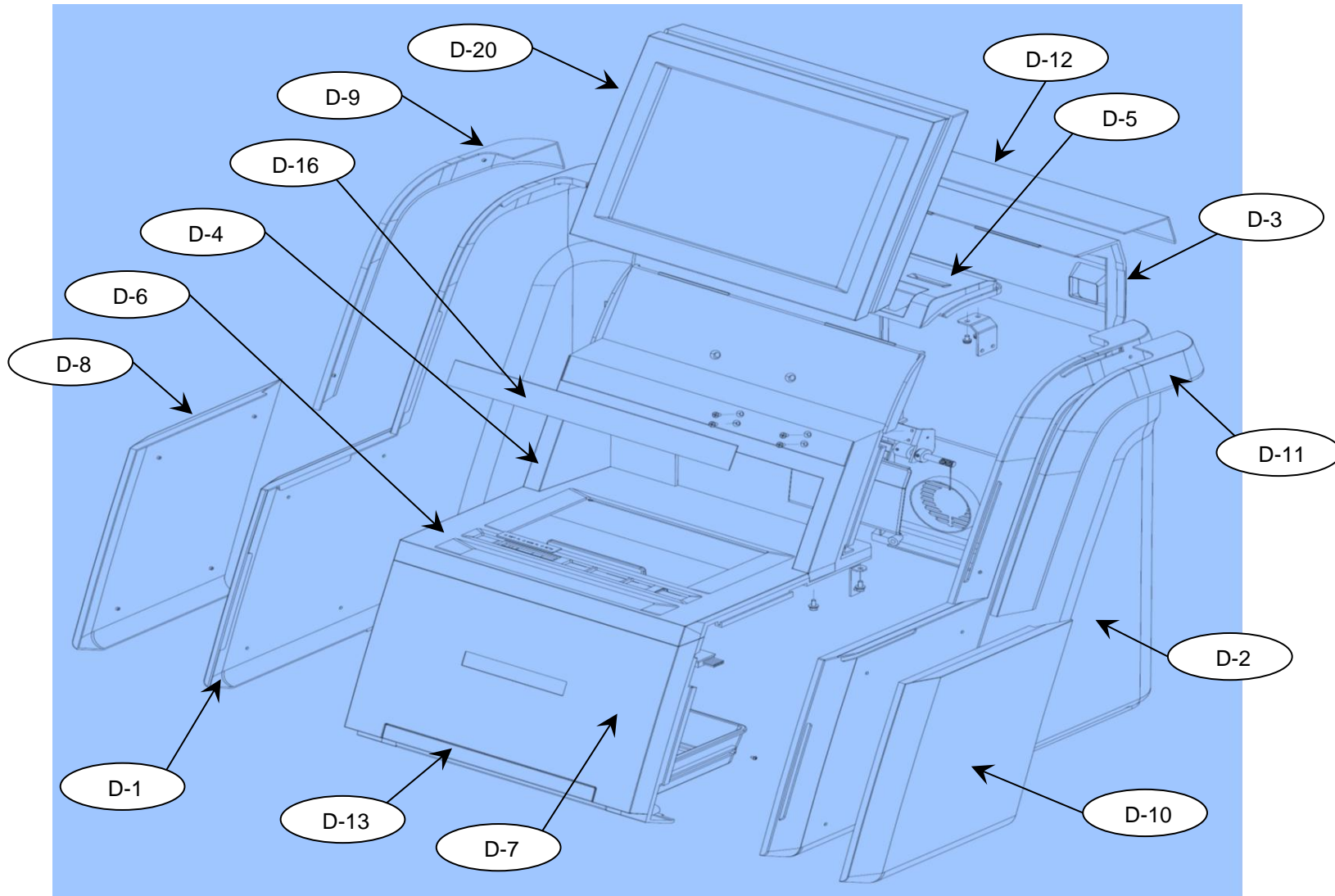
**L2 GUI BD ASSY**

## L2 FRAME TOTAL ASSY (Continue)

Ref.No.	Part Name	BOM Code	Remarks	Q'ty
<b>C-15</b>	<b>L2 INLET PANNEL ASSY</b>	<b>L2MASSY005-AA</b>		-
C-15-1	L2 INLET PANNEL	1030MP0L208-A		1
C-15-2	INLET	7604ACI4022-A	FUSE(7610S005031-A)	1
C-15-3	HARNESS(POWER (SMPS TO FAN))	L0EHAR0004-AB		1
C-15-4	PCB ASSY(BSI-300)	L2EPCB2001-AA		1

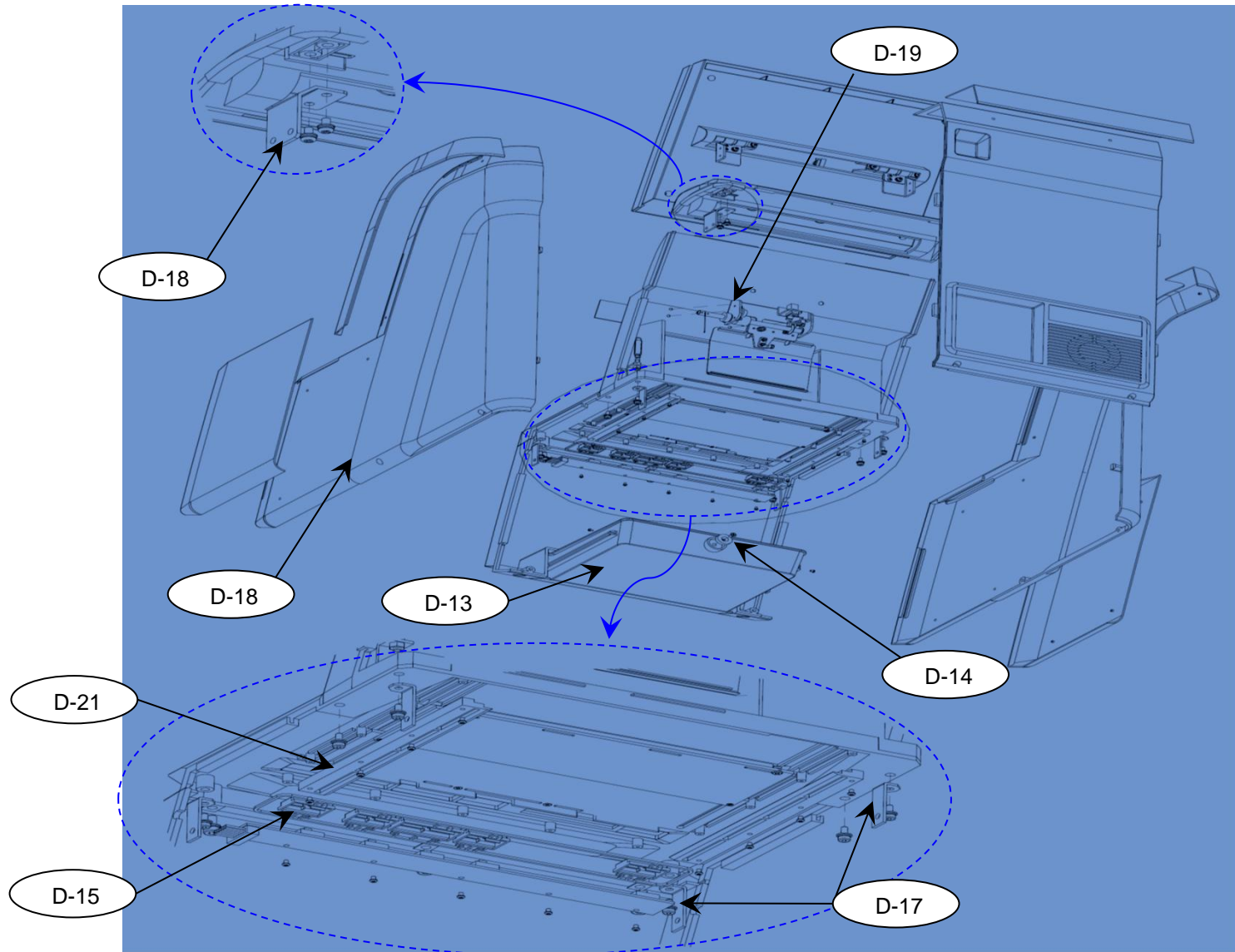
Ref.No.	Part Name	BOM Code	Remarks	Q'ty
<b>C-16</b>	<b>L2 MOTOR BD ASSY</b>	<b>L2MASSY006-AA</b>		-
C-16-1	L2 MOTOR BD BRK	1030MP0L209-A		1
C-16-2	PCB ASSY(BMM-300)	L2EPCB6001-AA	FUSE(7610S005031-A)	1

Ref.No.	Part Name	BOM Code	Remarks	Q'ty
<b>C-17</b>	<b>L2 GUI BD ASSY</b>	<b>L2MASSY007-AA</b>		-
C-17-1	L2 GUI BD BRK	1030MP0L209-A		1
C-17-2	PCB ASSY(S5P-210)	G3EPCB7001-AA	FUSE(7610S005031-A)	1
C-17-3	PCB ASSY(EGM-300)	G3EPCB7002-AA		1



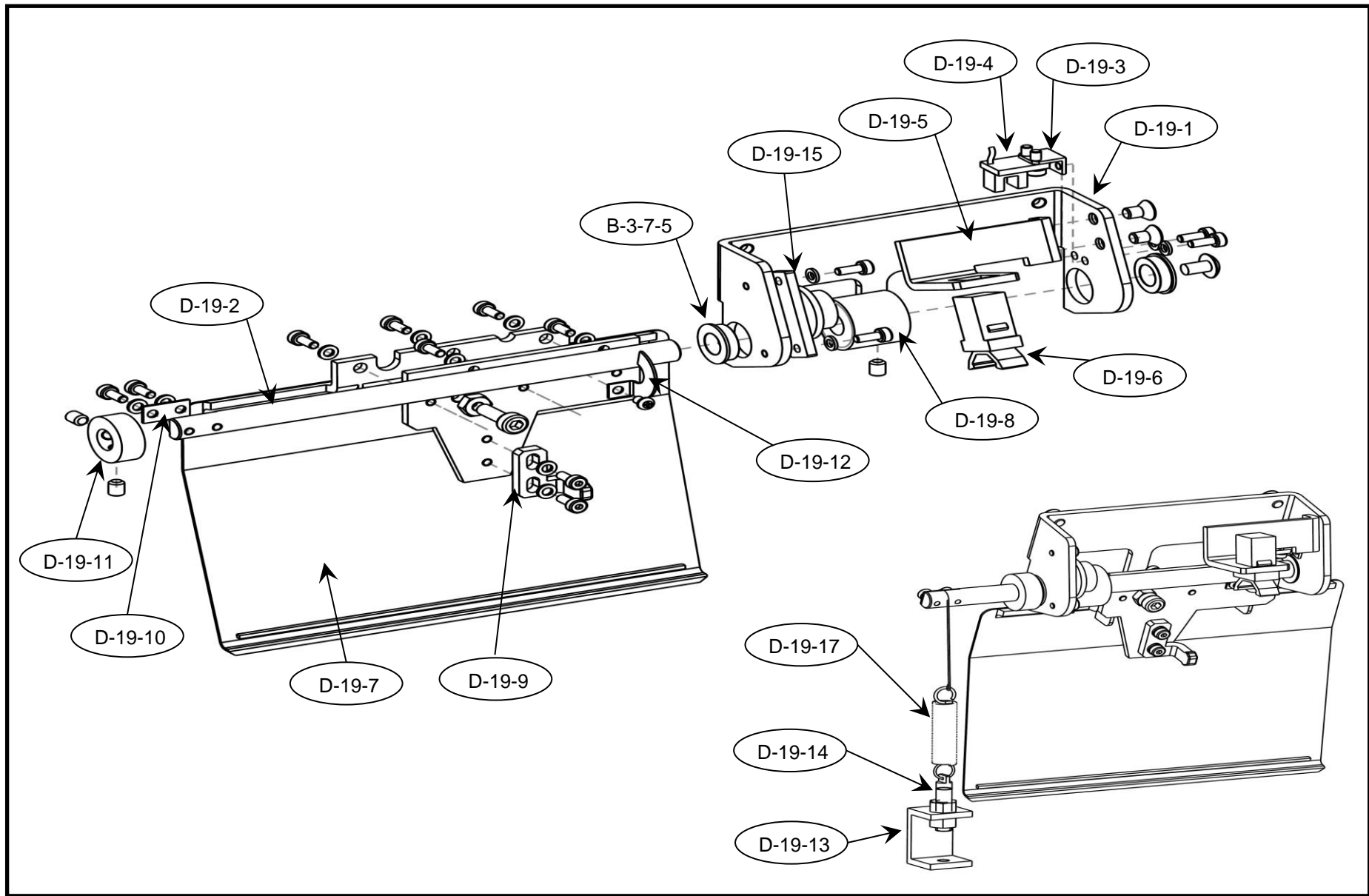
## L2 COVER TOTAL ASSY

Ref.No.	Part Name	BOM Code	Remarks	Q'ty
<b>D</b>	<b>L2 COVER TOTAL ASSY</b>	<b>L2MASSY024-AA</b>		-
D-1	L2 C LEFT	2000A00L202-A		1
D-2	L2 C RIGHT	2000A00L203-A		1
D-3	L2 C BACK	2000A00L204-A		1
D-4	L2 C TOP 1 A	2000A00L205-A		1
D-5	L2 C TOP 1 B	2000A00L206-A		1
D-6	L2 C TOP 2	2000A00L207-A		1
D-7	L2 C TOP 3	2000A00L208-A		1
D-8	L2 C TOP LEFT A	2000MS0L201-A		1
D-9	L2 C TOP LEFT B	2000MS0L202-A		1
D-10	L2 C TOP RIGHT A	2000MS0L203-A		1
D-11	L2 C TOP RIGHT B	2000MS0L204-A		1
D-12	L2 C TOP BACK	2000MS0L205-A		1
D-13	L2 C DRAWER	2000A00L209-A		1
D-14	MAGNET	3099A000006-A		1
D-15	L2 C TRACER BUTTON	2000A00L210-A		1
D-16	L2 COVER DECO PLATE	1300MS0L201-A		1
D-17	L2 C FRONT BRK	1030MP0L217-A		4
D-18	L2 C TOP BRK	1030MP0L218-A		2
D-19	L2 SHUTTER ASSY	L2MASSY029-AA		1
D-20	L2 LCD ASSY	L2MASSY025-AA		1
D-21	H2 C SLIDE ASSY	H2MASSY015-AA		1



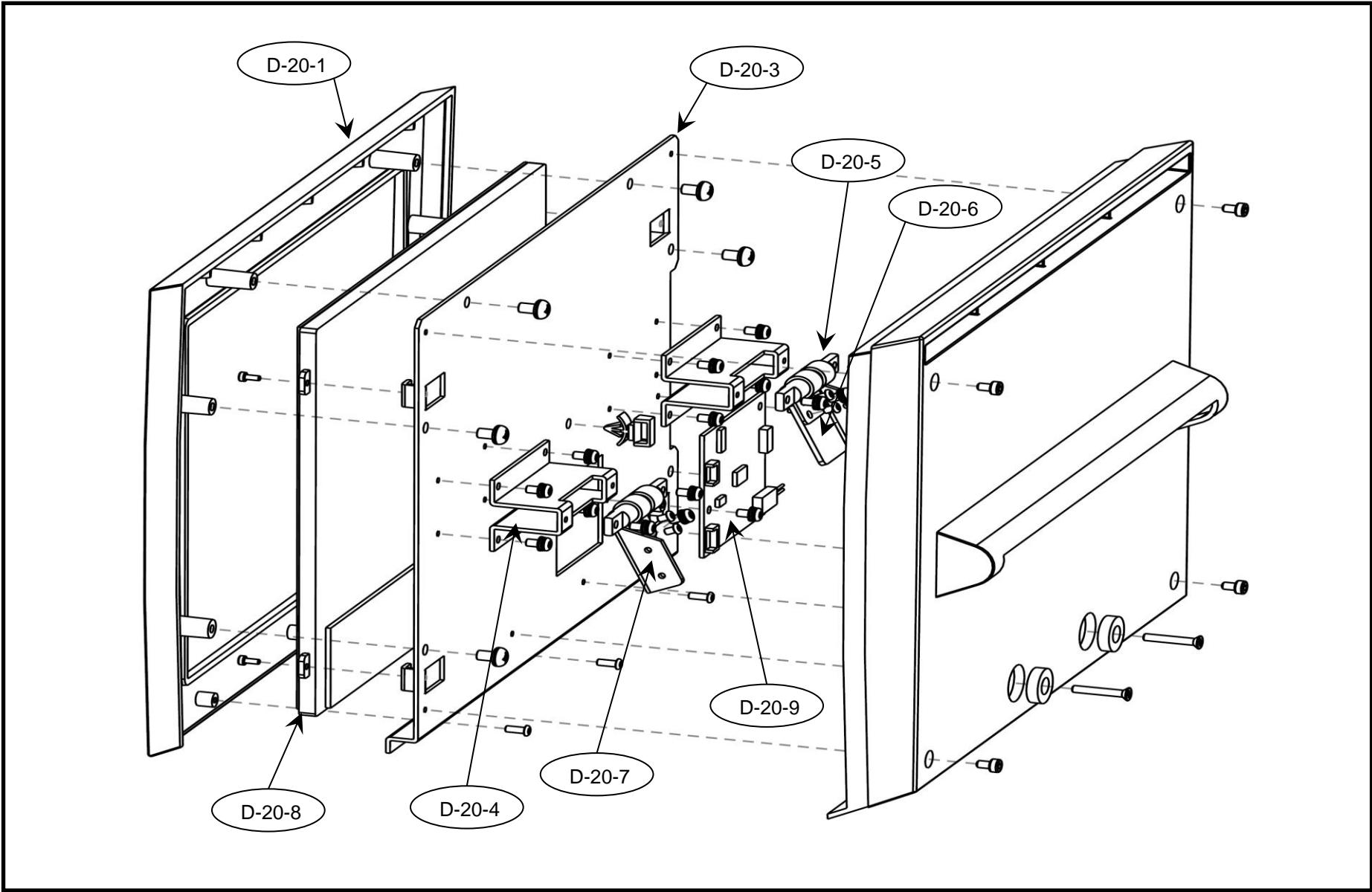
## L2 COVER TOTAL ASSY (Continue)

Ref.No.	Part Name	BOM Code	Remarks	Q'ty
<b>D</b>	<b>L2 COVER TOTAL ASSY</b>	<b>L2MASSY024-AA</b>		-
D-1	L2 C LEFT	2000A00L202-A		1
D-2	L2 C RIGHT	2000A00L203-A		1
D-3	L2 C BACK	2000A00L204-A		1
D-4	L2 C TOP 1 A	2000A00L205-A		1
D-5	L2 C TOP 1 B	2000A00L206-A		1
D-6	L2 C TOP 2	2000A00L207-A		1
D-7	L2 C TOP 3	2000A00L208-A		1
D-8	L2 C TOP LEFT A	2000MS0L201-A		1
D-9	L2 C TOP LEFT B	2000MS0L202-A		1
D-10	L2 C TOP RIGHT A	2000MS0L203-A		1
D-11	L2 C TOP RIGHT B	2000MS0L204-A		1
D-12	L2 C TOP BACK	2000MS0L205-A		1
D-13	L2 C DRAWER	2000A00L209-A		1
D-14	MAGNET	3099A000006-A		1
D-15	L2 C TRACER BUTTON	2000A00L210-A		1
D-16	L2 COVER DECO PLATE	1300MS0L201-A		1
D-17	L2 C FRONT BRK	1030MP0L217-A		4
D-18	L2 C TOP BRK	1030MP0L218-A		2
D-19	L2 SHUTTER ASSY	L2MASSY029-AA		1
D-20	L2 LCD ASSY	L2MASSY025-AA		1
D-21	H2 C SLIDE ASSY	H2MASSY015-AA		1



## L2 COVER TOTAL ASSY (Continue)

Ref.No.	Part Name	BOM Code	Remarks	Q'ty
<b>D-19</b>	<b>L2 SHUTTER ASSY</b>	<b>L2MASSY029-AA</b>		-
D-19-1	L2 SHUTTER HINGE BRK	1330MP0L201-A		1
D-19-2	L2 SHUTTER SHAFT	1210A00L203-A		1
D-19-3	L2 SHUTTER PI BRK	1330MP0L202-A		1
D-19-4	HARNESS(SHUTTER PI ASSY)	L2EHAR3002-AA		1
D-19-5	L2 DC LATCH CATCH BRK	1330MP0L203-A		1
D-19-6	L2 SHUTTER BRK DC LATCH	1330MP0L204-A		1
D-19-7	L2 SHUTTER	2000A00L213-A		1
D-19-8	L2 DAMPER GEAR	1230A00L201-A		1
D-19-9	L2 LATCH INSERT	1330MP0L209-A		1
D-19-10	L2 WIRE FIX PLATE	1310A00L202-A		1
D-19-11	L2 SHUTTER SHAFT FIX	1200A00L201-A		1
D-19-12	L2 SHUTTER DOG	1330MP0L207-A		1
D-19-13	L2 SHUTTER SPRING BRK	1330MP0L208-A		1
D-19-14	L2 SHUTTER SPRING SCREW	1210A00L205-A		1
D-19-15	DAMPER(DPG03)	3099A000015-A		1
D-19-16	DC LATCH(LAA01)	3099A000016-A		1
D-19-17	SPRING (AWY6-25)	3008A000040-A		1
B-3-7-5	BEARING (FL676)	3002A000043-A		2



## L2 COVER TOTAL ASSY (Continue)

Ref.No.	Part Name	BOM Code	Remarks	Q'ty	US(\$)	EUR(€)	Unit Price
<b>D-20</b>	<b>L2 LCD ASSY</b>	<b>L2MASSY025-AA</b>		-			
D-20-1	L2 COVER LCD FRONT	2000A00L211-A		1			
D-20-2	L2 COVER LCD BACK	2000A00L212-A		1			
D-20-3	L2 C LCD BRK	1030MP0L219-A		1			
D-20-4	G3 HINGE SUPPORT	1330MP0G309-A		1			
D-20-5	G3 LCD HINGE	3099A00G302-A		1			
D-20-6	L2 C LCD HINGE BRK L	1030MP0L220-A		1			
D-20-7	L2 C LCD HINGE BRK R	1030MP0L221-A		1			
D-20-8	LCD(GRAPHIC), TOUCH SCREEN	7202LGRCLH3-A		1			
D-20-9	PCB ASSY(ETD-300)	G3EPCB4001-AA		1			
D-14	MAGNET	3099A000006-A		1			